

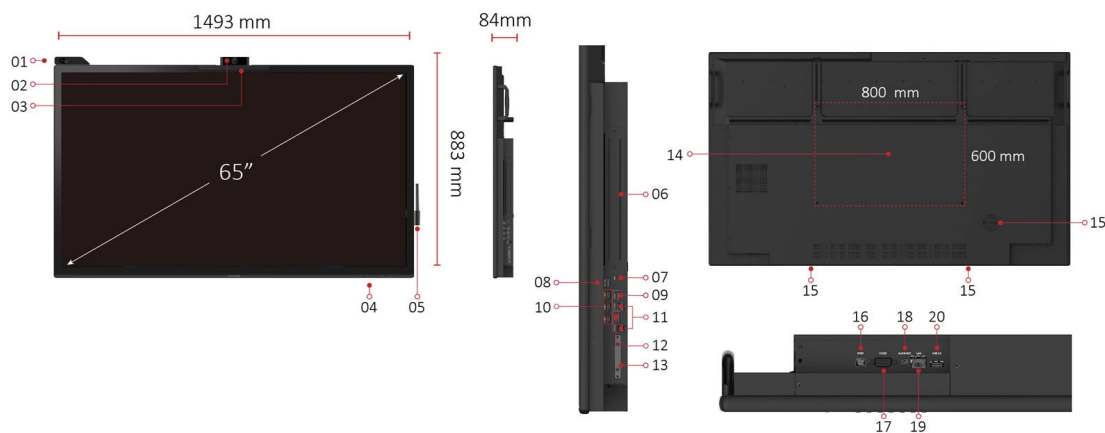
## Key Features

- Advanced Projected Capacitive (PCAP) touch technology
- Write Naturally and Accurately with Smart Active Pen
- Azure certified IoT sensor hub for workplace management
- Skype for Business certified FHD camera
- Single cable content sharing through USB Type C



## Product Description

The ViewBoard® IFP70, our flagship interactive display, is tailored for visual collaboration in a digital workplace. Adopting advanced Projected Capacitive (PCAP) touch technology, it has a frameless, flat touchscreen to deliver precise responsiveness and the most accurate touch experience. Together with the smart pen, it enables you to write naturally and accurately like a real pen on a 4K Ultra HD resolution screen, streamlining visual collaboration. The ViewBoard® IFP70 series has quick, easy connectivity for content sharing via USB-C cable or wireless ViewBoard® Cast. Furthermore, it has a high quality video conferencing solution for the remote workforce with certified FHD camera, 6 mic array and 2.1 speaker configuration. In addition, the ViewBoard® IFP70 series gives you extra security to keep your information safe, private and compliant. It has built-in, AWS-powered myViewBoard™ whiteboarding software and an optional Intel® vPro™ slot-in PC. The ViewBoard® IFP70 series is also equipped with IoT sensors, which meet Windows Collaboration Display standards. It can work with Microsoft Azure Digital Twins to monitor and optimise your smart meeting rooms and collaboration spaces.



- |                                    |  |                               |             |
|------------------------------------|--|-------------------------------|-------------|
| 1. Sensor Hub                      | 7. USB-C(USB 3.0, DP 1.4 Alternate Mode, Ethernet, PD 60W) | 13. WiFi Module Slot          | 20. USB 2.0 |
| 2. Camera                          | 8. HDMI Out  | 14. VESA Wall Mount 800x600mm |             |
| 3. 6 Array Microphone              | 9. HDMI In   | 15. 2.1 Speakers              |             |
| 4. Meun Controls                   | 10. USB 3.0 X 3  | 16. SPDIF                     |             |
| 5. Smart Pen and Charger           | 11. Touch X 2  | 17. RS232                     |             |
| 6. Intel Unite® Certified OPS Slot | 12. Display Port   | 18. Audio Out                 |             |
|                                    |  | 19. LAN                       |             |



## DISPLAY

Panel Size:	65"
Type/Tech:	TFT LCD Module with DLED Backlight.
Display Area (mm):	1428.48(H) x 803.52(V) mm (64.5" diagonal)
Aspect Ratio:	16:9
Native Resolution:	UHD 3840x2160(Pixels)
Colours:	1.07B colours (10bit)
Brightness:	350 nits (typ.)
Contrast Ratio:	1200:1 Typ.
Response Time:	8ms
Viewing Angles:	H = 178, V = 178 typ.
Backlight Life:	30,000 Hours (Min)
Surface Treatment:	Anti-Glare/anti finger print
Bezel:	Slim
Orientation:	Landscape

## PLATFORM

Processor:	Dual core A73+Dual core A53
RAM:	4GB DDR4
Storage:	32GB

## TOUCH

Type/ Tech:	PCAP
Touch Resolution:	32767 x 32767
Touch Point:	20 points touch, 10 points writing

## INPUT

HDMI:	2.0 x1 (3840x2160 @60Hz)
DisplayPort:	X1 1.4
RS232:	x1
OPS:	x1 PC Slot

## OUTPUT

HDMI:	X1(4K2K@60Hz)
Audio:	x1 (Earphone out)
SPDIF:	1(optical)

## LAN

RJ45:	x1
-------	----

## USB

Type A:	USB 3.0 x3
Type B:	USB 3.0 x2, for touch
Type C:	x1 USB3.0, DP1.4 Alternate mode, Ethernet, PD 60W

## SPEAKERS

SPEAKERS:	10W x 2 + 15W x 1 subwoofer
-----------	-----------------------------

## CAMERA PLATE ON TOP FOR SCREW-IN WEBCAM

### INSTALLATION

Camera plate on top for screw-in webcam installation:	Yes
---	-----

## BUNDLE SOFTWARE

Basic Annotation Software:	myViewBoard for android
Pro Annotation Software:	myViewBoard for windows (Embedded in Windows Slot-in PC)
Wireless Presentation with Touch Feedback: Viewboard Cast:	ViewBoard Cast

## POWER

Voltage:	100-240VAC +/- 10% Wide Range
Consumption:	On:99(Typ.) Off: <0.5W

## ERGONOMICS

Wall Mount (VESA®):	800 x 600
---------------------	-----------

## OPERATING CONDITIONS

Temperature (° C):	0°C to 40°C
Humidity:	10% ~ 90% RH non-condensing

## DIMENSIONS (W X H X D)

Physical (inch / mm):	1493X883X84(mm) 58.77x34.76x3.3(inch)
Packaging (inch / mm):	1669X1010X223(mm) 65.7X39.7X8.7(inch)

## WEIGHT

Net (lb / kg):	94.79 lb/43Kg
Gross (lb / kg):	110.23 /51Kg

## REGULATIONS

REGULATIONS:	FCC, cTUVus, CB, CE, RCM,
--------------	---------------------------

## ENERGY STAR VERSION

Energy Star version:	ES8.0
----------------------	-------

## EEL RATING

EEL rating:	A+
-------------	----

## PACKAGE CONTENTS

PACKAGE CONTENTS:	<ol style="list-style-type: none"><li>1. Power cable x 4</li><li>2. Remote control</li><li>3. AAA battery X2</li><li>4. USB cable Type C</li><li>5. activeTouch pen x 2</li><li>6. Pen Charger X1</li><li>7. Quick Start Guide</li><li>8. RS232 adapter</li><li>9. Clamp x 7</li><li>10. Camera</li><li>11. Screw x 6 (4 for wall mount ,2 for sensor hub)</li><li>12. HDMI cable</li><li>13. Sensor hub</li><li>14 .Touch USB cable</li><li>15. Micro USB cable for camera</li></ol>
-------------------	---

## COMPATIBLE SLOT-IN PC

Compatible Slot-in PC:	VPC14-WP series VPC10-WP series VPC15-WP series VPC16-WP series VPC17-WP series
------------------------	---