

ARVIA BN1000

All-in-One USB Video Conferencing Bar
Professional AI Video Conferencing Experience



Camera, Speakerphone,
all-in-one compact
design



Accurate 6 meters voice
pickup range



Automatic people
framing and tracking



120 degrees horizontal
angel of view



Compatible with multiple
cloud conferencing
platforms



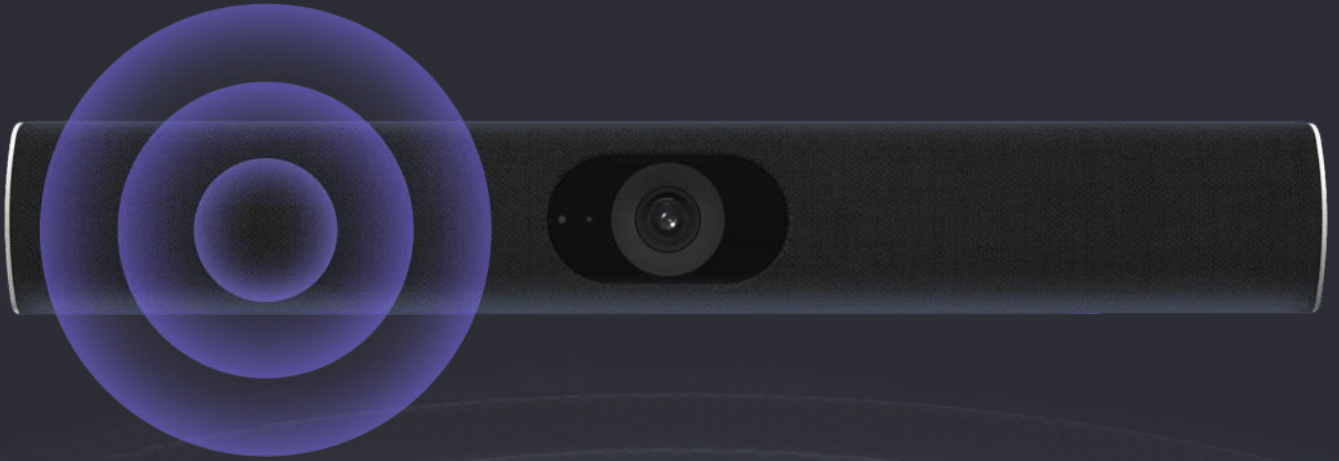
Simple setup and easy to
install

Plug and Play,
Efficient Meeting



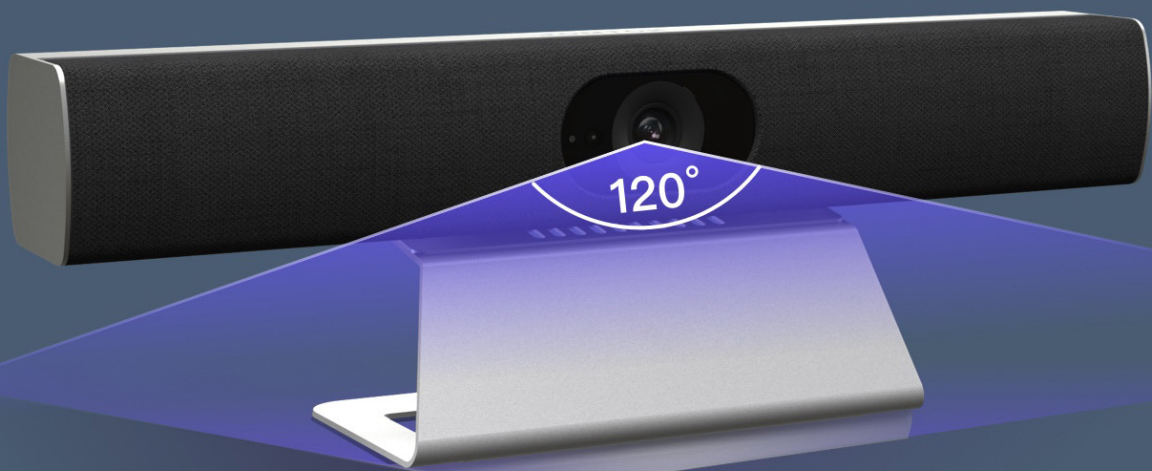
Accurate 6 meters voice pickup range Built-in 6 MEMS microphone array

- Acoustic echo cancellation (AEC)
- Automatic gain control (AGC)
- Dereverberation (DER)
- Noise suppression (NS)



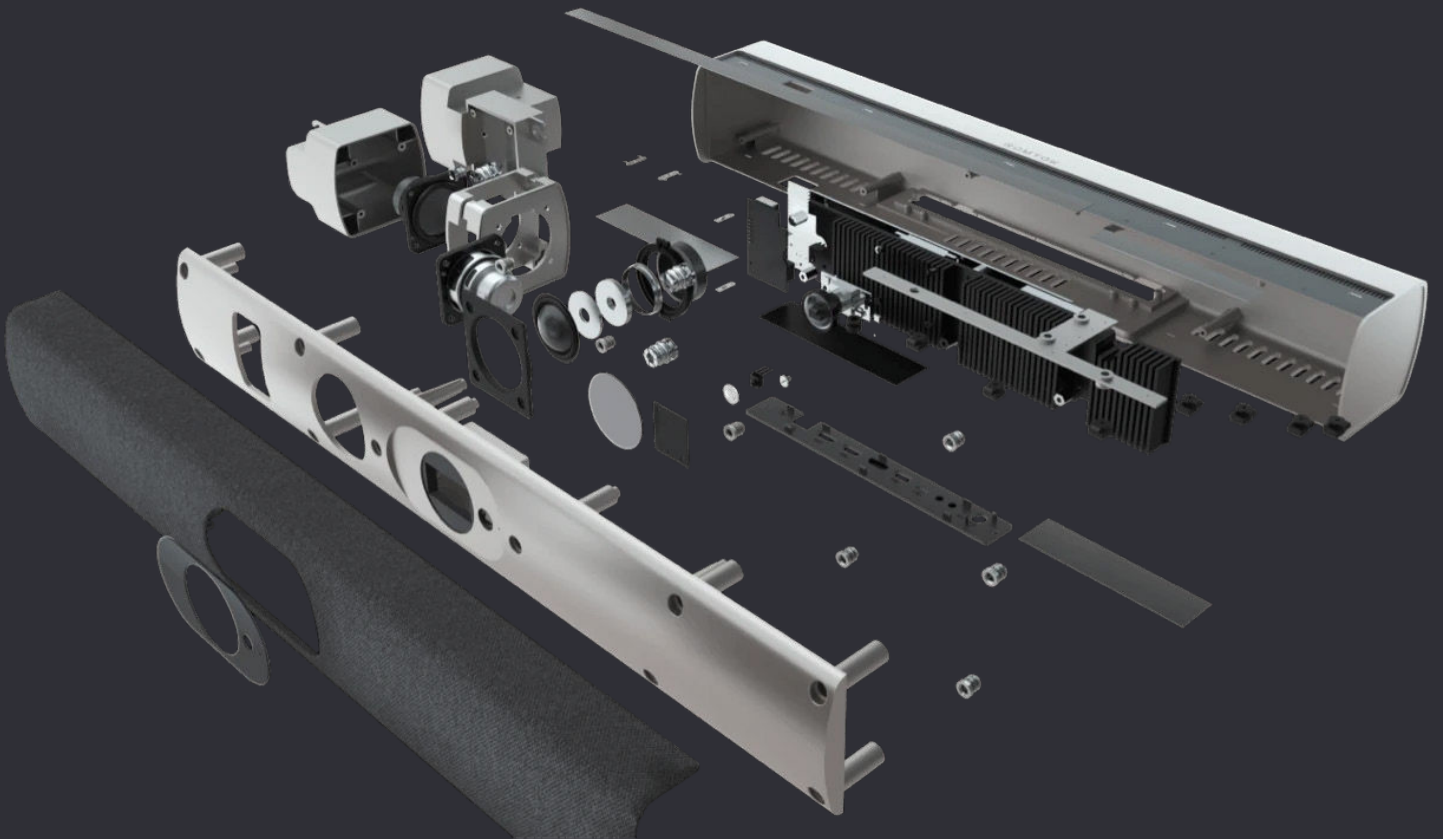
120° Horizontal Angel
of View

4K Ultra HD Camera and
Content Sharing



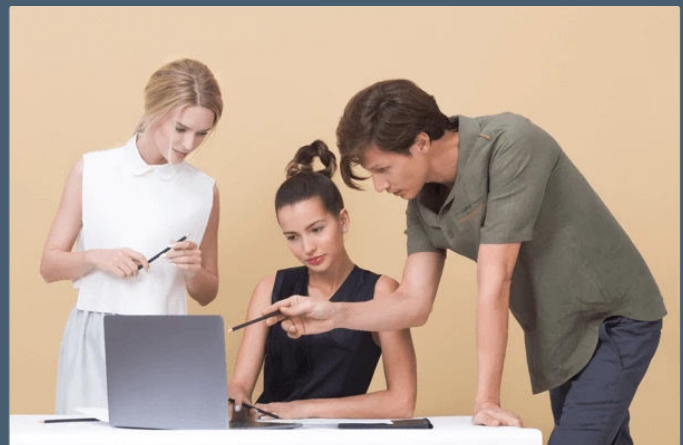
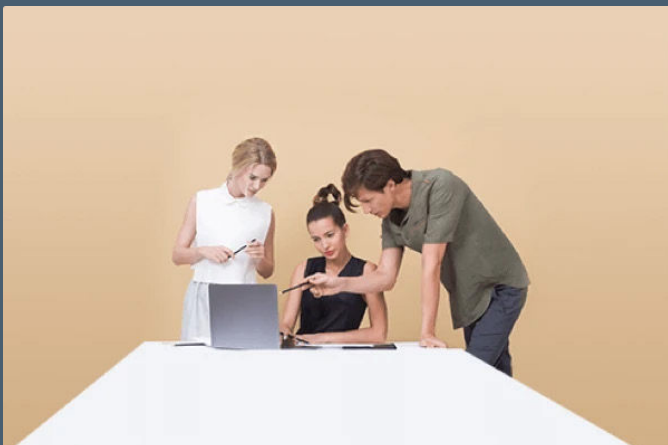
All-In-One Design, Easy Installation

Built-in main board, camera, microphone, Speaker and bracket



Face Recognition, Auto Framing

To display the best image automatically



Plug and Play, Easy Installation

Plug and play, multiple installation
methods optional



Plug and Play, Easy Installation

Plug and play, multiple installation
methods optional





Specifications

ROMTOK BN1000 Bar is our compact and highly capable meeting device designed for cloud video APP like Zoom Rooms.

Package Lis

- 1 x ROMTOK BN1000 Bar
- Hinge + Desktop stand installed
- 1 x Power adapter
- 1 x AC power cable
- 1 x USB Type-C cable
- 1 x Instruction manual/Warranty card

Video

- 4x digital zoom with 8 MP capture resolution
- 120 degrees horizontal angel of view
- Automatic people framing
- Hardware accelerated video encode and decode
- Distortion correction
- Automatic white balance and color correction
- People video resolution: Up to 1080p / 30fps
- Content video resolution: 720 p / 60fps, 1080p / 30fps

Electrical and environmental requirements

- Power Adapter: AC input 100~240V
- Operating temperature: 32°-104° F (0° - 40° C)
- Storage temperature: 5° - 149° F (-15° - 65° C)
- Relative humidity: 20% - 80%
- Carton size: 610mm x 140mm x 170mm
- ROMTOK BN1000 Bar size: 530mm x 86mm x 80mm
- Net weight: 2.1kg

Audio

- Built-in 6 MEMS microphone array
- surround speakers with symmetric design
- Hardware accelerated audio processing
- Echo cancellation
- Noise suppression
- Automatic gain control
- Dereverberation

Connections

- 1 x USB Type-A
- 1 x USB Type-C
- 1 x Power port
- 1 x Reset slot

Other

- Optional external microphone
- Optional wall / TV mount



Israk Solutions Sdn. Bhd (1289622-T)

Wisma Israk, No. 20, Jalan BP 6/13, Bandar Bukit Puchong, 47120, Puchong, Selangor



<http://www.israk.my>



info@israk.my



03-8966 2405